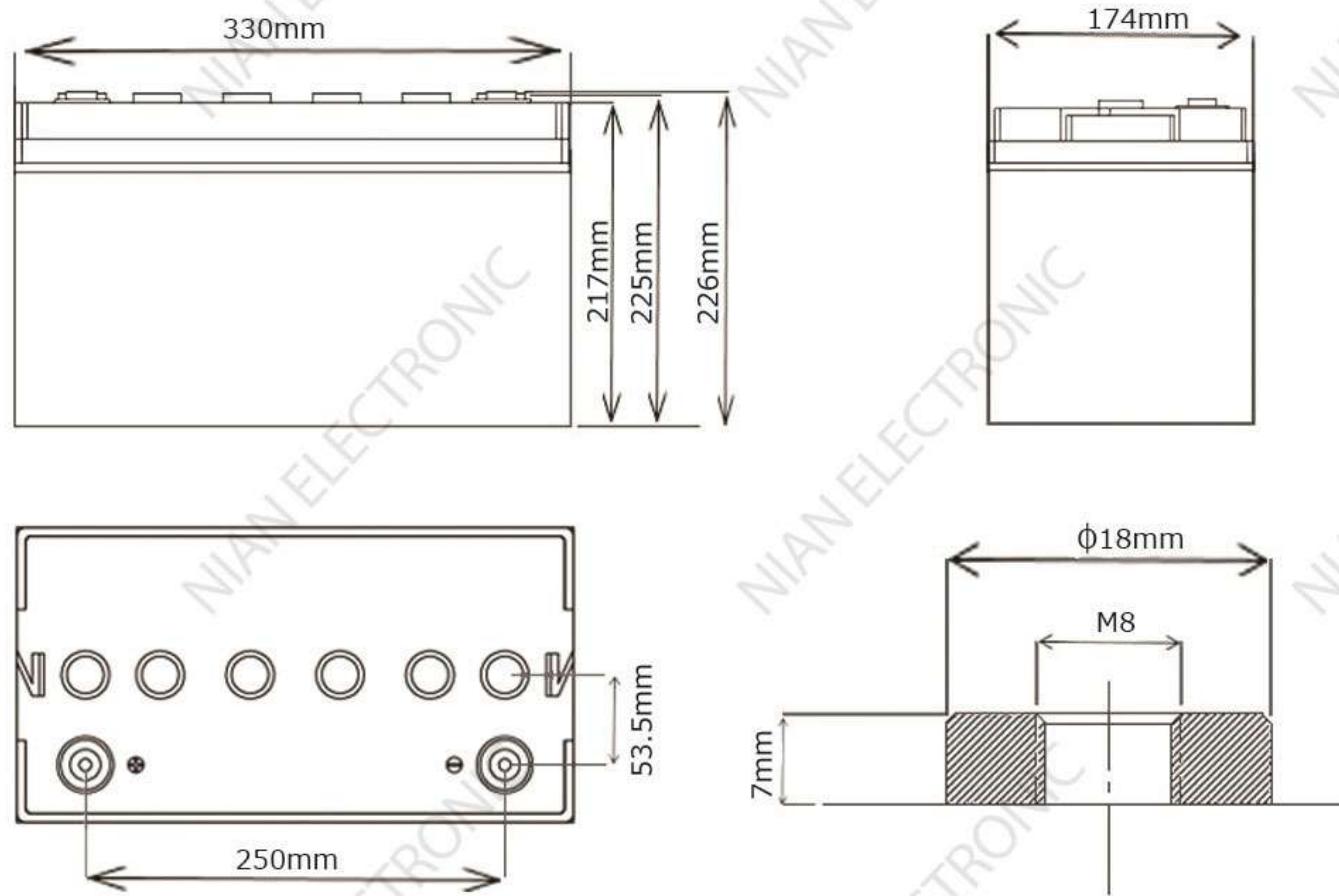


SP12-100 (12V-100Ah)



SP12-100 (12V-100Ah) Specifications

Battery Model	SP 12-100			
Designed Life (Years, 25°C)	10			
Capacity (Ah/25°C)	20 HR (5.0A, 1.75V)	10 HR (9.3A, 1.75V)	5 HR (17.0A, 1.75V)	1 HR (60.0A, 1.70V)
	100	93	85	60
Dimensions	Length (mm)	Width (mm)	Height (mm)	Total Height (mm)
	330	174	217	226
Approx. Weight (kg)	29.8			
Internal Resistance (mΩ)	4.2			
Max. Discharge Current (A/5 Sec)	1000			
Self-Discharge (25°C)	≤ 2% per Month			
Charge Voltage (V/Cell/25°C)	Cycle Use		Float Use	
	2.40 (-4 mV/°C/cell), Max Charge Current: 30 A		2.27(-3 mV/°C/cell)	
Terminal Type	FT-57-M8			

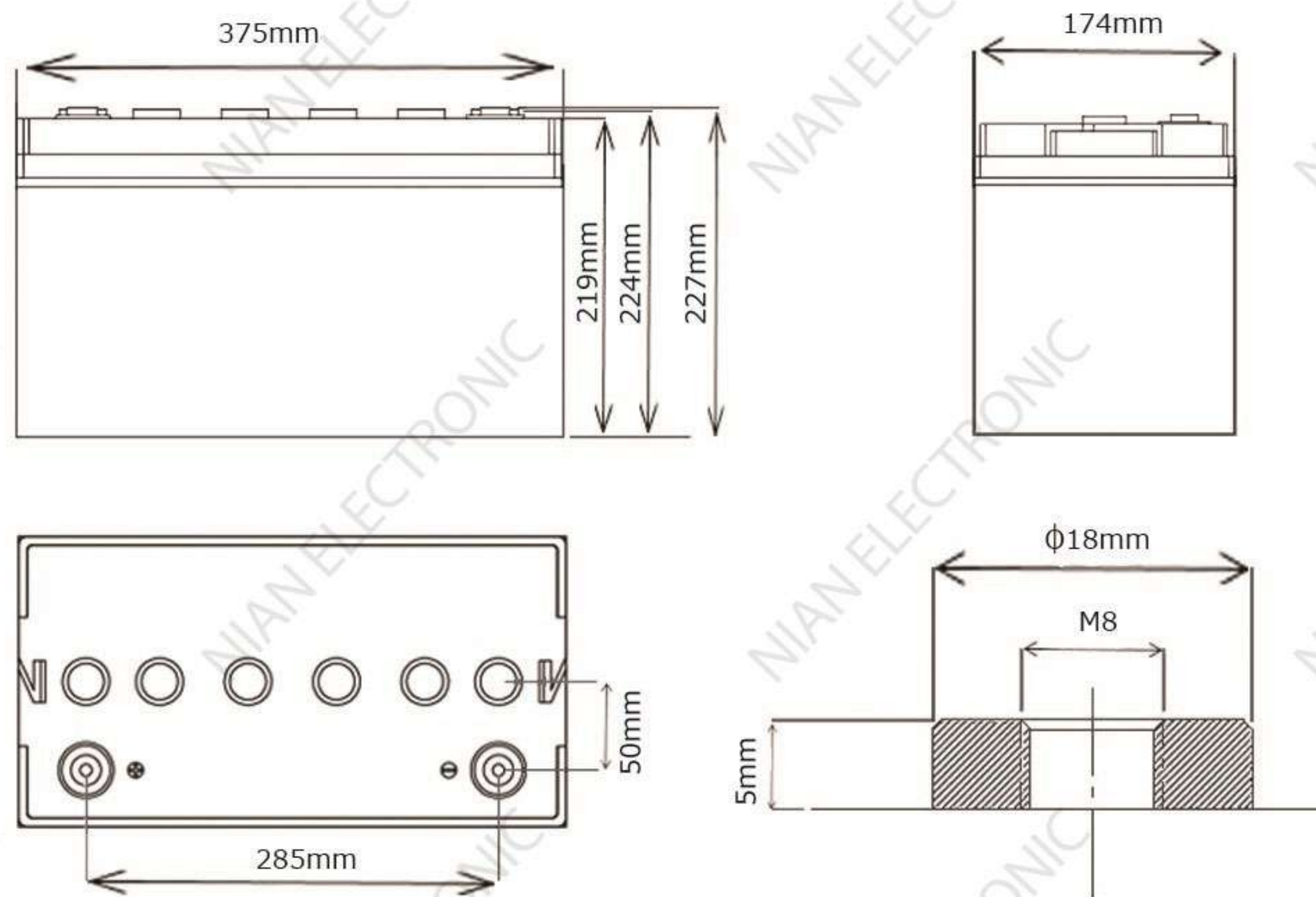
Constant Current Discharge Data (25°C, A)

End Voltage (V/Cell)	5min	10min	15min	20min	30min	45min	1h	1.5h	2h	3h	5h	10h	20h
1.60	335	236	181	148	110	80	63.50	47.30	37.30	26.80	17.63	9.60	5.13
1.65	315	227	175	144	107	78	61.90	46.50	36.90	26.50	17.40	9.5	5.1
1.67	304.10	221.90	172.30	142.30	105.70	77.15	61.07	46.14	36.62	26.40	17.33	9.469	5.085
1.70	292	216	169	140	104	76	60	45.60	36.20	26.20	17.20	9.4	5.050
1.75	262	201	162	135	101	74	57.80	45	35.30	25.70	17	9.3	5
1.80	237	184	153.90	129	97	72.50	57.10	43.50	34.50	25.20	16.60	9.1	4.9

Constant Power Discharge Data (25°C, W/Cell)

End Voltage (V/Cell)	5min	10min	15min	20min	30min	45min	1h	1.5h	2h	3h	5h	10h	20h
1.60	565	422	392	272.40	204	151	119	88	69.70	50.50	33.30	18.80	10.38
1.65	540	410	323	266.90	201	147.60	117.70	87.06	69.13	50.13	33.07	18.55	10.32
1.67	525.50	402.80	319.60	261.70	199.40	146.30	117.10	86.77	68.92	50.01	33.04	18.49	10.32
1.70	509	394	315	261.50	197	144.50	116	86.13	68.44	49.69	32.87	18.36	10.27
1.75	467	372	304	253.60	192	141.50	113.50	85.12	67.68	49.28	32.62	18.16	10.20
1.80	429	346.90	290	244	186	139	111	83.50	66.50	48.50	32.30	17.95	10

SP12-120 (12V-120Ah)



SP12-120 (12V-120Ah) Specifications

Battery Model	SP 12-120			
Designed Life (Years, 25°C)	10			
Capacity (Ah/25°C)	20 HR (6.0A, 1.75V)	10 HR (11.16A, 1.75V)	5 HR (20.4A, 1.75V)	1 HR (72.0A, 1.70V)
	120	111.6	102	72
Dimensions	Length (mm)	Width (mm)	Height (mm)	Total Height (mm)
	375	174	219	227
Approx. Weight (kg)	34.8			
Internal Resistance (mΩ)	3.5			
Max. Discharge Current (A/5 Sec)	1200			
Self-Discharge (25°C)	≤ 2% per Month			
Charge Voltage (V/Cell/25°C)	Cycle Use		Float Use	
	2.40 (-4 mV/°C/cell), Max Charge Current: 36 A		2.27(-3 mV/°C/cell)	
Terminal Type	FT-57-M8			

Constant Current Discharge Data (25°C, A)

End Voltage (V/Cell)	5min	10min	15min	20min	30min	45min	1h	1.5h	2h	3h	5h	10h	20h
1.60	372	280	217	174.5	132	97.50	75.60	56.52	44.50	32.20	21.73	11.40	6.25
1.65	366	275	213	170	128.90	95.90	73.80	55.75	43.64	31.79	21.25	11.32	6.15
1.67	359.20	270	209.40	167.30	127.70	94.89	73.05	55.35	43.28	31.58	21.04	11.30	6.122
1.70	351	264	205	163.90	126	93.50	72	54.72	42.74	31.24	20.75	11.24	6.07
1.75	317	243	193	157.4	122	90	70	53.45	42	30.60	20.40	11.16	6
1.80	268	219.6	179	146.80	114	85	67	51	40.50	29.50	19.70	10.80	5.86

Constant Power Discharge Data (25°C, W/Cell)

End Voltage (V/Cell)	5min	10min	15min	20min	30min	45min	1h	1.5h	2h	3h	5h	10h	20h
1.60	615	470	370	301.80	237	177	142	105	82.79	60.49	40.31	22.87	12.54
1.65	610	465	365	296.70	232.40	174.90	139.30	104	81.86	59.82	39.79	22.65	12.34
1.67	601.4	460.90	361.70	294.20	230.30	173.50	138.20	103.70	81.56	59.63	39.71	22.62	12.31
1.70	590.40	455	357	290.50	227.30	171.50	136.50	103	80.93	59.20	39.48	22.49	12.23
1.75	540	425	342	282.60	221.70	168.10	134.20	101.40	80.15	58.63	39.02	22.33	12.06
1.80	460	387	320	269.10	215	163	131	99	78.70	57.50	38.50	22.07	11.87